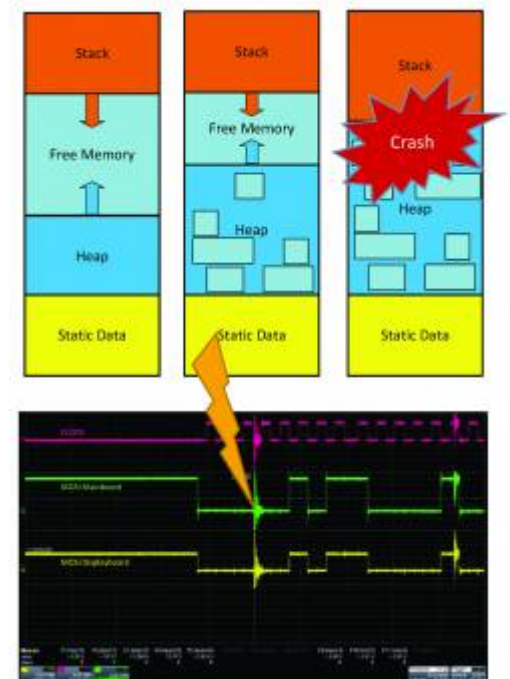


Microcontroller Programming and Debugging

Content

The topics will be:

- Compiler tool-chain and assembler
- Programming language C
- Coding guidelines



- Embedded software architectures
- Formal methods
- Modell-based software development
- Advanced languages for embedded programming
- Debugging
- Interactions with the copper layer
- Data processing

Organizational

Due to COVID-19 pandemic the lecture and exercises will be offerend online only in this semester.

- The lecture and the exercise are streamed via zoom.
- The exam will be held via the digital examination system of RWTH, Dynexite. The exam will take place at the planned appointment.

- lecture, exercise and exam will be in english language

Dates

- Mondays 10:30 - 12:00 hrs
- tuesdays 10:30 - 12:00 hrs

The first lecture of the semester takes place on Wednesday, 14 April 2021.

Tutor

- [Mateusz Buglowski, M.Sc. RWTH](#)

From:

<https://embedded.rwth-aachen.de/> - **Informatik 11 - Embedded Software**

Permanent link:

<https://embedded.rwth-aachen.de/doku.php?id=en:lehre:sose21:ampnd>

Last update: **2021/04/11 10:16**

