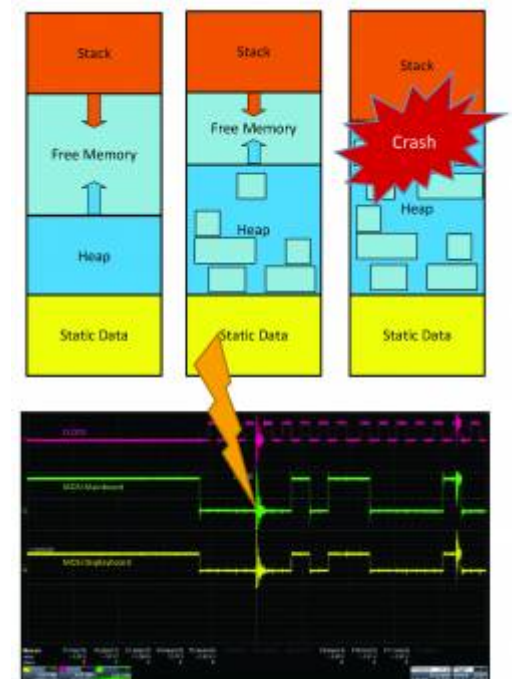


Microcontroller Programming and Debugging

Content

The topics will be:

- Compiler tool-chain and assembler
- Programming language C
- Coding guidelines



- Embedded software architectures
- Formal methods
- Modell-based software development
- Advanced languages for embedded programming
- Debugging
- Interactions with the copper layer
- Data processing

Organizational

- The lecture and the exercise are held at lecture hall AH III.
- The exam will be held via the digital examination system of RWTH, Dynexite. The exam will take place at the planned appointment.
- lecture, exercise and exam will be in english language

Dates

- Mondays 10:30 - 12:00 hrs
- Wednesdays 10:30 - 12:00 hrs

The first lecture of the semester takes place on Monday, 06 April 2022.

Tutor

- [Mateusz Buglowski, M.Sc. RWTH](#)

From:

<https://embedded.rwth-aachen.de/> - **Informatik 11 - Embedded Software**

Permanent link:

<https://embedded.rwth-aachen.de/doku.php?id=en:lehre:sose22:ampnd>

Last update: **2022/03/16 12:52**

