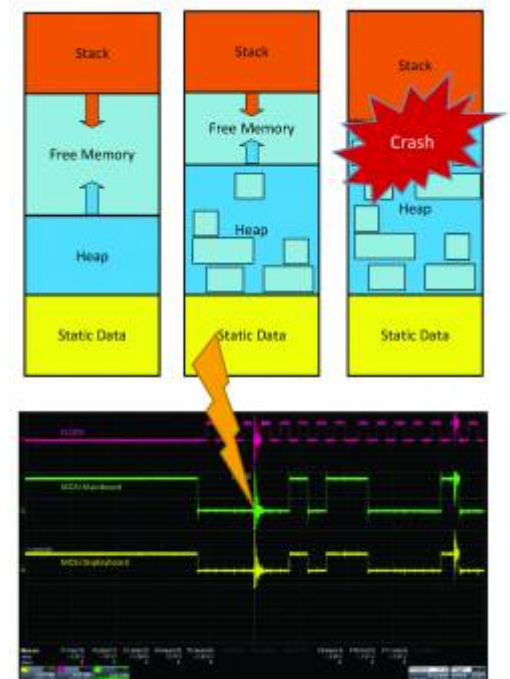


Microcontroller Programming and Debugging

Content

The topics will be:

- Compiler tool-chain and assembler
- Programming language C
- Coding guidelines



- Embedded software architectures
- Formal methods
- Modell-based software development
- Advanced languages for embedded programming
- Debugging
- Interactions with the copper layer
- Data processing

Organizational

- All information is available in the moodle Room. [Access via RWTHOnline.](#)
- The lecture and the exercise are held at lecture hall AH III.
- The exam will be held via the digital examination system of RWTH, Dynexite. The exam will take place at the planned appointment, as an offline exam.
- lecture, exercise and exam will be in english language

Dates

- Tuesday 12:30 - 14:00 hrs
- Wednesdays 10:30 - 12:00 hrs

The first lecture of the semester takes place on Monday, 9th April 2024.

- Written examination: 22.08.2024
- Retake: 23.09.2024

Tutor

- [Camelia Oprea, M.Sc. RWTH](#)
- Mail: [ampnd\[at\]embedded.rwth-aachen.de](mailto:ampnd@embedded.rwth-aachen.de)

From:
<https://embedded.rwth-aachen.de/> - **Informatik 11 - Embedded Software**

Permanent link:
<https://embedded.rwth-aachen.de/doku.php?id=en:lehre:sose24:ampnd>

Last update: **2024/03/28 11:08**

